

BA-300

non return valve



altecnic

BA-300 non return valve



Application

The Altecnic non return valve has a resilient disc facing and spring assistance, for rapid closure.

This enables the valve to be installed in horizontal or vertical pipework, with the flow in the upwards direction.

The spring assistance gives rapid closure, preventing flow reversal and hydraulic shock.

The valve is ideally suitable for use in heating system.

The valve can also be close coupled to the BA-0300 foot filter to make a foot valve and strainer for use in tanks and reservoirs.

The NBR rubber disc facing makes the valve suitable for use on water, oil, and other industrial services.

Design

The non return valve is uni-directional.

The spring is manufactured from AISI 302 stainless steel, giving good corrosion and fatigue resistance.

The NBR rubber disc facing enables the valve to be used up to a maximum temperature of 110°C.

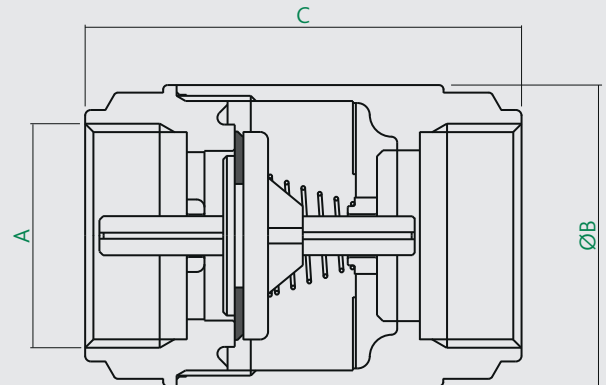
Supplied with female parallel threaded ends complying with BS EN ISO 228-1

Construction Details

Component	Material	Grade
Body	Brass	BS EN 12165 CW617N
Disc		POM plastic
Retainer and guide	POM plastic	
Disc facing ring	NBR rubber	
Ring retainer	Brass	BS EN 12165 CW617N
Spring	Stainless steel	AISI 302

Product Code	Size	Connections
BA-300020	1/4"	f x f screwed iron
BA-300030	3/8"	f x f screwed iron
BA-300040	1/2"	f x f screwed iron
BA-300050	3/4"	f x f screwed iron
BA-300060	1"	f x f screwed iron
BA-300070	1 1/4"	f x f screwed iron
BA-300080	1 1/2"	f x f screwed iron
BA-300090	2"	f x f screwed iron
BA-300100	2 1/2"	f x f screwed iron
BA-300110	3"	f x f screwed iron
BA-300120	4"	f x f screwed iron

Dimensions

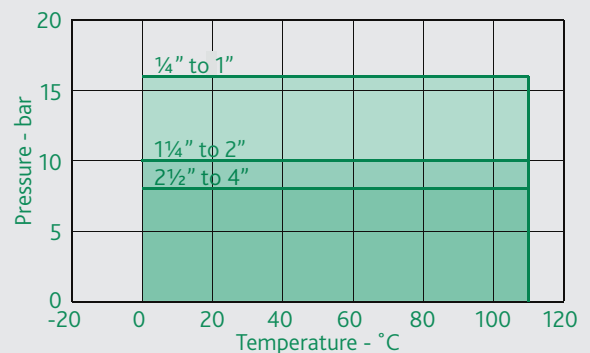


Size	A	B	C	kg
1/4"	G1/4	29	45	0.105
3/8"	G3/8	29	45	0.090
1/2"	G1/2	30	45	0.100
3/4"	G3/4	37	53	0.155
1"	G1	44	59	0.225
1 1/4"	G1 1/4	56	66	0.350
1 1/2"	G1 1/2	63	71	0.470
2"	G2	78	80	0.710
2 1/2"	G2 1/2	104	93	1.260
3"	G3	121	104	1.810
4"	G4	156	119	3.100

Technical Data

Max. Temperature:		110°C
Max. Pressure:	1/4" to 1"	16 bar
	1 1/4" to 2"	10 bar
	2 1/2" to 4"	8 bar
Min. Opening Pressure:		0.02 bar
End Connections:		BS EN ISO 228

Pressure - Temperature Diagram



E & O.E

Altecnic Ltd Mustang Drive, Stafford, Staffordshire ST16 1GW

T: +44 (0)1785 218200 E: sales@altecnic.co.uk

Registered in England No: 2095101

altecnic.co.uk

AL 077 27-02-12

altecnic